

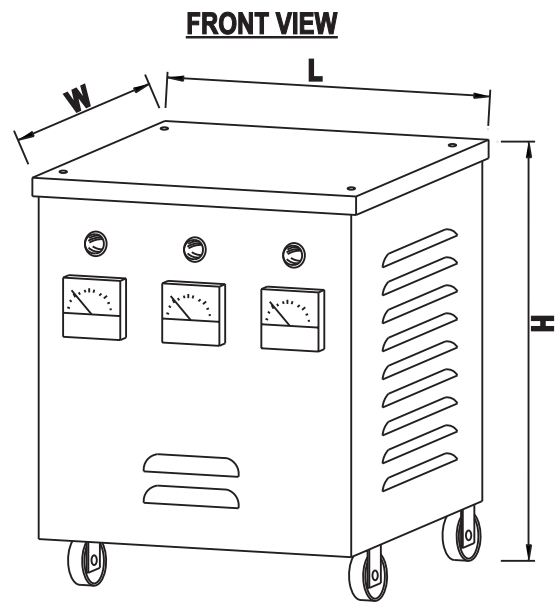
AUTO TRANSFORMER DRY TYPE



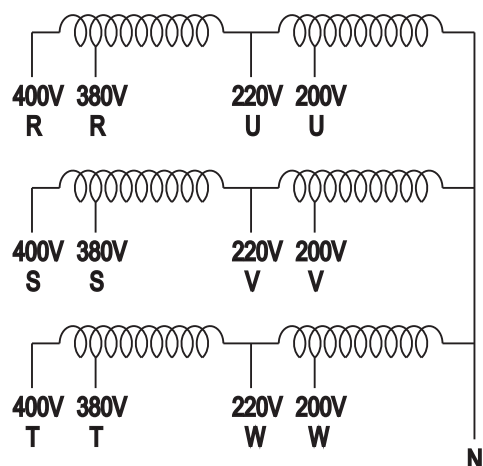
Fig.1 Top View (Open Top Cover)

KVA	Dimension Box (mm)			Weight (Kg)
	Length	Width	Height	
3	320	270	450	30
5	440	280	580	45
7.5	440	280	580	60
10	510	400	760	70
15	510	400	760	81
20	510	400	760	85
25	510	400	760	100
30	560	450	800	111
35	560	450	800	122
40	560	450	800	130
45	650	480	900	155
50	650	480	900	180
60	650	480	900	221
75	760	520	1000	247
100	760	520	1000	300
125	760	520	1000	430
150	860	650	1050	524
200	860	650	1050	565
250	860	650	1050	495

Primary : 400/231V - 380/220V - 220/127V - 200/115V
 Secondary : 200/115V - 220/127V - 380/220V - 400/231V



WIRING DIAGRAM AUTO TRANSFORMER



* Data subject to change without prior notice.

Update Mar-2018

Marketing :