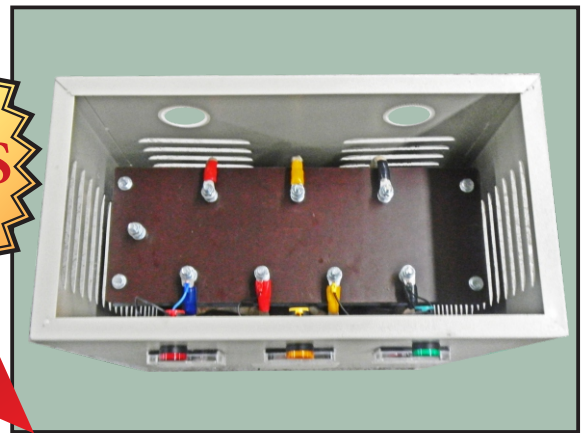


HEXTA Transformer

ISOLATION TRANSFORMER DRY TYPE



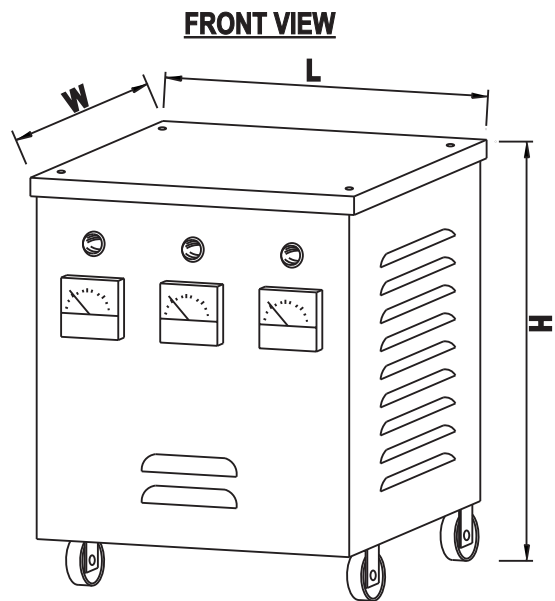
Top View (Open Top Cover)

KVA	Dimension Box (mm)			Weight (Kg) ±
	Length	Width	Height	
3	300	270	530	52
5	400	285	580	60
7.5	400	285	580	80
10	470	330	630	107
15	470	330	630	140
20	530	355	680	160
25	530	355	680	190
30	550	380	740	220
35	550	380	740	230
40	600	420	740	280
45	600	420	800	300
50	700	420	850	330
60	700	420	900	370
75	750	470	950	430
100	750	470	950	460
125	800	520	950	500
150	850	570	1000	550
200	850	570	1050	675
250	900	620	1150	835

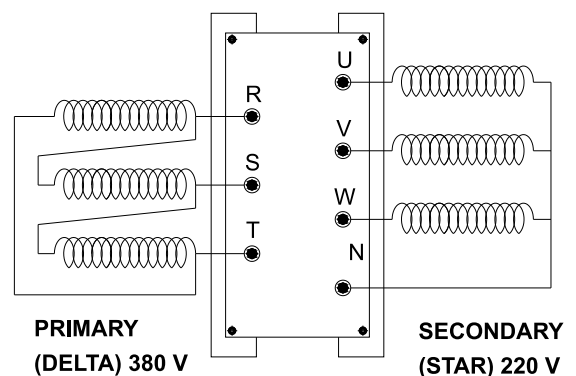
* Data subject to change without prior notice.

Update Agustus 2015

Primary : 380 V
Secondary : 220 V



WIRING DIAGRAM ISOLATION TRANSFORMER



Marketing :